



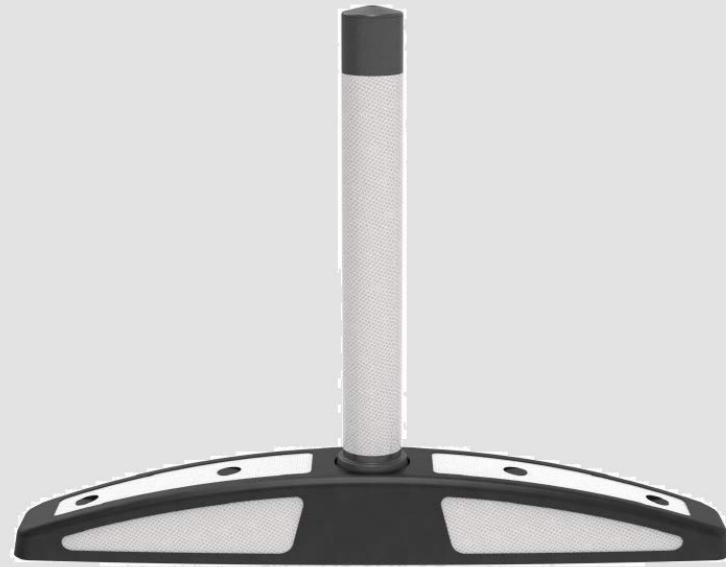
**PWS Signs Ltd.**  
 Ravensdale,  
 Unit 10 Northlink Business Park,  
 Coes Road, Dundalk, Co. Louth,  
 A91 WV09  
 Tel: (042) 937 5010

**PWS Ireland Ltd.**  
 Greenbank Industrial Estate,  
 Newry, Co. Down,  
 BT34 2QX  
 Tel: (028) 3026 4511

✉ [info@pwssigns.com](mailto:info@pwssigns.com)  
 🖱 [www.pwssigns.com](http://www.pwssigns.com)

# Cycle Lane Separator

## For use with or without Impact Resistant Wand



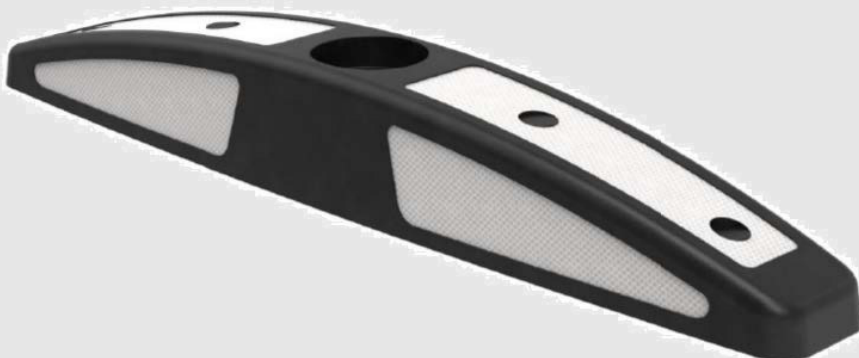
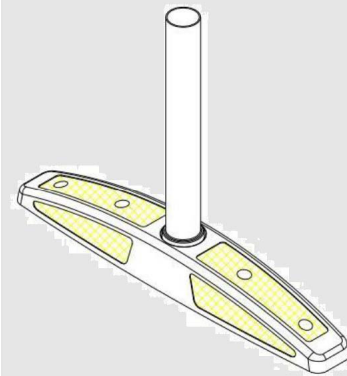
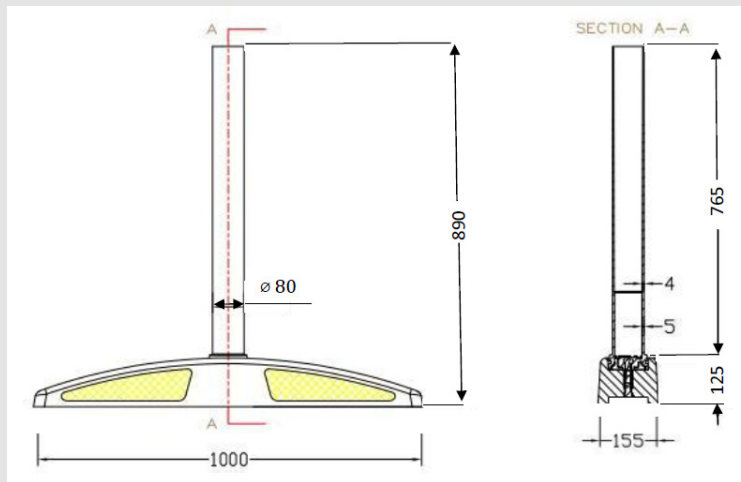
**Robust and innovative cycle lane separator with rounded form for enhanced safety and providing great visibility. Available with or without Impact Resistant Wand with Reflective sheeting/hoops**

**Made from 100% Recycled Rubber**

Rounded edges with no sharp corners.

### Characteristics

- **High visibility day and night.** Due to retroreflective wand.
- **High shock absorption.** Due to flexibility of the material and absence of sharp edges.
- **High mechanical strength.** Due to structure and design of the material.
- **High resistance to weathering.** Due to the material used.
- **Fast and easy to install.** With 4no. anchor bolts
- **Made using Vulcanized Recycled rubber.**



Base Unit: 1000mm x 155mm x 125mm high

With High Level Wand - 890mm Overall height