



PWS Signs Ltd

Ravensdale,
Unit 10 Northlink Business Park,
Coes Road, Dundalk, Co. Louth,
A91 WV09
Tel: (042) 937 5010

PWS Ireland Ltd

Greenbank Industrial Estate,
Newry, Co. Down,
BT34 2QX
Tel: (028) 3026 4511

✉ info@pwssigns.com
🖱 www.pwssigns.com

Flat Top Hazard Markers



Flat Top Hazard Markers are ideal for marking and delineating verges and footpaths or any area where a highly visible, impact resistant delineator/hazard marker is required.

Key Features

- **Superior visibility**
Day and night-time viewing.
- **Ideal for urban locations/narrow footpaths/cycle lanes and lay-bys**
- **Strong, vandal-resistant construction**
- **Fast & easy to install**
Reduces risk to installation personnel
- **Low Maintenance**
- **Passively Safe**
- **CE Certified to**
EN12899(3)- 2007

Details

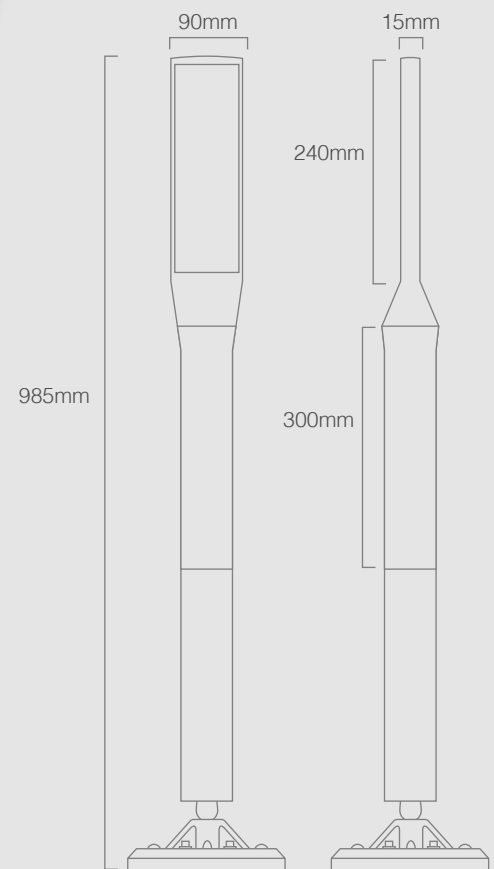
Flat Top Hazard Markers feature a red high visibility reflector of the front face, with a white reflector on the reverse. Flat Top Hazard Markers are fully impact resistant and will survive multiple impacts, ensuring the Hazard Marker continues to function and provide a clear warning to road users.

They are quick and easy to install and this minimises the amount of time the installer is working on a live road, thus improving safety for the installation crew. Their ability to survive multiple impacts means they offer exceptional value and will continue to function for extended periods.

Colours



Reflective strips available in red and white.



Overall Height	985mm
Tube Width	60mm Dia
Size of Reflectors	80 x 230mm
Material	HDPE
Fixing	4 Bolts or foundation cage

